

# Transferpette® S

The Transferpette® S pipettes have been benchmarked against leading pipettes for premium performance, light weight, comfort and easy service.

- **Thumb-tip Volume Selection:** Set and secure the volume without even shifting your hand position!
- **Short Pipetting Stroke:** Shortest range of pipetting motion among premium pipettes reduces risk of repetitive strain injury.
- **4-digit Display:** Precise settings that are always visible while pipetting.
- **Fully Autoclavable at 121°C:** Repeatedly autoclavable without disassembly or recalibration.
- **Light Weight and Rugged:** Made with precision advanced materials for chemical resistance, dimensional stability and light weight.
- **Full Pipetting Range:** Adjustable and fixed-volume single channel pipettes from 0.1µL to 10mL; multichannels from 0.5µL to 300µL.
- **Economical:** Fast, in-house cleaning, repair and calibration (without tools) for long, economical service. Accepts most manufacturers' tips.



**The Transferpette® S.**  
**The new benchmark in pipetting.**

# single & multichannel pipettes

## Short Stroke Length Reduces Strain

Up to 40% shorter range-of-motion than competitive pipettes.

## Comfortable

Broad, curved tip-ejector button.

## Secure

A volume brake helps protect against accidental volume changes.

## Clearly Accurate

4-digit display for precise volume settings; always remains visible during pipetting.

## Fast!

One-handed volume setting for both right- and left-handed users—even with gloves!



## Reduced Static Strain

Pipette suspends from relaxed hand

## Calibration Adjustment Without Tools

Easy Calibration™ makes it easy. Calibration flag indicates adjustment from factory settings.

## Fully Autoclavable

Both single and multichannel models are autoclavable at 121°C (20 min) without disassembly—for maximum convenience and protection from contamination!

## Smooth Operation

Specially selected sealing material provides uniformly smooth pipetting stroke.

## Low strain

Resilient V-rings and the stepped design of the tip ejector reduce tip mounting and ejection forces. V-rings support broad tip compatibility. **NEW!** Two O-ring design on 0.5-10µL model provides directional accuracy and improved fit.



## Convenient

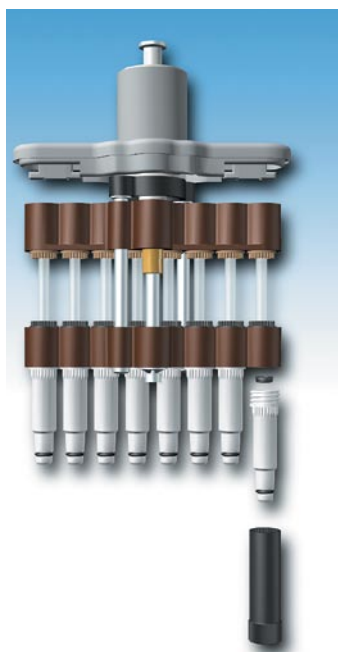
Manifold rotates 360° in both directions to allow you to pipette from any angle.



## Transferpette® S single and multichannel pipettes

The Transferpette® S family of pipettes provides unparalleled comfort and ease-of-use in a central-button pipette.

- Innovative materials reduce weight, improve corrosion resistance and protect accuracy, even after repeated autoclaving.
- Short pipetting stroke reduces the risk of RSI (repetitive strain injury), and enhances comfort for operators with smaller hands. Curved finger rest supports pipette for a relaxed grip.
- True one-handed operation. Volume can be set and secured with the tip of the thumb - even while wearing gloves.
- Large separate tip ejector for reduced tip ejection forces.
- Pistons in multichannel models are light, dimensionally stable and corrosion resistant.
- Easy Calibration™ technology ensures fast, easy, in-lab calibration adjustments without tools for ISO/GLP compliance. (See description of Easy Calibration™, page 9).
- Volume range 0.1µL to 10mL for single channel models; 0.5µL to 300µL for multichannels.
- CE-IVD compliant.



### Simple, economical, in-lab service

The Transferpette® S eight- and twelve-channel pipettes feature patented individually removable tip cones for easy cleaning and seal replacement. This is especially handy if faults are discovered during calibration, as only the individual channel needs service.

The Transferpette® S single channel pipettes can be disassembled for cleaning and reassembled in seconds without tools. Integrated spring/seal construction simplifies in-lab service.

### Items supplied

The Transferpette® S is supplied with the following items:

- Performance certificate
- Operating manual
- Shelf mount



### Color Coded

Easy selection of the right tip.

### Maximum compatibility

Tip cone design offers excellent fit with BRAND tips and broadest compatibility with tips from other manufacturers.



Red recalibration flag indicates adjustment from factory specifications



Easy thumb-tip volume setting



Covered nameplate—identifies pipettes without messy tape!



Free shelf mount with Transferpette® S single or multichannel pipettes



Carousel stand for handy storage of up to six Transferpette® S single or multichannel pipettes

Transferpette® S single and multichannel pipettes

ORDERING INFORMATION

Capacity µL	Model	Type of Tip See tip chart page 15 & 21	A* ≤ ± %	CV* ≤ %	Subdivision µL	Cat. No.	2011 List Price
<b>Transferpette® S Adjustable Volume Single Channel Pipettes</b>							
0.1-1	D-1	A, I	2	1.2	0.001	2704768	\$314.00
0.5-10	D-10	A, B, I**, J	1	0.5	0.01	2704770	285.00
2-20	D-20	C, D, K, L	0.8	0.4	0.02	2704772	285.00
10-100	D-100	C, D, K**, L	0.6	0.2	0.1	2704774	285.00
20-200	D-200	C, D, K**, L**, M	0.6	0.2	0.2	2704778	285.00
100-1000	D-1000	E, F, N	0.6	0.2	1	2704780	285.00
500-5000 (0.5-5mL)	D-5000	G	0.6	0.2	5	2704782	285.00
1000-10000 (1-10mL)	D-10000	H	0.6	0.2	10	2704784	285.00

**Transferpette® S Fixed Volume Single Channel Pipettes**

10	F-10	A, B, J	1	0.5	—	2704708	156.00
20	F-20	C, D, K, L	0.8	0.4	—	2704716	156.00
25	F-25	C, D, L	0.8	0.4	—	2704720	156.00
50	F-50	C, D, L	0.8	0.4	—	2704728	156.00
100	F-100	C, D, L	0.6	0.2	—	2704738	156.00
200	F-200	C, D, M	0.6	0.2	—	2704744	156.00
500	F-500	E, F, N	0.6	0.2	—	2704754	156.00
1000	F-1000	E, F, N	0.6	0.2	—	2704762	156.00

Pipettes supplied with performance certificate, operating manual, and shelf mount. Three-year warranty.



**Transferpette® S Single Channel Starter Sets**

Starter Set	Includes following Transferpette® S models	Cat. No.	2011 List Price
Micro	D-1, D-10, D-100	2704790	\$684.00
Mid-Size	D-20, D-200, D-1000	2704791	684.00
Macro	D-1000, D-5000, D-10000	2704792	684.00
Standard	D-10, D-100, D-1000	2704793	684.00

Starter Sets include three pipettes with performance certificates, operating manual, three shelf mounts, and three filled Tip-Boxes with appropriate sized tips.

**Transferpette® S -8/-12 Multichannel Pipettes**

Capacity µL	Type of Tip See tip chart page 15 & 21	A* ≤ ± %	CV* ≤ %	Subdivision µL	Transferpette® S -8 Channel	2011 List Price	Transferpette® S -12 Channel	2011 List Price
0.5-10	A, B, I**, J	1.6	1.0	0.01	2703700	\$699.00	2703720	\$865.00
5-50	C, D, K**, L, M	0.8	0.4	0.05	2703706	699.00	2703726	865.00
10-100	C, D, K**, L, N	0.8	0.3	0.1	2703708	699.00	2703728	865.00
20-200	C, D, K**, L**, M	0.8	0.3	0.2	2703710	699.00	2703730	865.00
30-300	C**, D, L**, M**	0.6	0.3	0.5	2703712	699.00	2703732	865.00

Transferpette® S -8/-12 pipettes supplied with performance certificate, operating manual, shelf mount, Tip-Box with two refills, reagent reservoir, pack of replacement V-rings. One-year warranty.

**Accessories**

	Cat. No.	2011 List Price
Carousel Stand - for up to six Transferpette® S single or multichannel pipettes, pack of 1	704805	\$123.00
Individual Multichannel Stand - for all Transferpette® S, Transferpette® electronic and Transferpette® multichannel pipettes, pack of 1	703440	35.00
Shelf Mount - for all Transferpette® S single or multichannel pipettes, pack of 1	704810	26.00
Autoclavable Reagent Reservoirs – PP, with translucent lids, pack of 10	703459	30.00
Autoclavable Reagent Reservoirs – PP, sterile, individually wrapped, 100 pieces total	703411	256.00
Autoclavable Reagent Reservoirs – PP, sterile, 40 packs of five, 200 pieces total	703409	235.00

\* The value of accuracy and coefficient of variation are final test values referring to the delivered nominal volume, instrument and distilled water at equilibrium with ambient temperature (20°C/68°F) and with smooth operation.

\*\* Please note: tip capacity may be less than capacity of pipette.

A\*=Accuracy, CV\*=Coefficient of Variation